

Series S Sanitary



Description

The Series S Sanitary product family of temperature sensors features the N.E.T. Solution™. The Series S catalog includes an extensive offering of standard sanitary sensors for both direct and thermowell immersion, as well as an in-line, non-intrusive version for small diameter lines.

Application

Burns Engineering developed the Series S as highly accurate and reliable temperature sensors for applications in pharmaceutical, biotech, food & beverage and chemical markets. The N.E.T. Solution™ sensors provide a clean, No-Exposed Thread design to eliminate all cracks or crevasses where bacteria growth or dirt deposits can form. All of the Series S sensors conform to the 3A Sanitary Standards Program which is commonly required in pasteurization and sanitization systems.



Features and Benefits

- N.E.T. Solutions™ eliminates possible contamination sites
- SWE Sanitary Elbow Thermowell
- Conform to 3A sanitary standards program number 74
- Tested under extreme conditions and extended cycle periods to ensure peak performance
- Available in RTD and Thermocouple versions
- Process connection sizes from ½" to 4"

Specifications

Element Resistance: 100 ohms at 0°C nominal

Temperature Coefficient of Resistance: 0.00385 ohms/ohms/°C nominal

Accuracy: Available with Accuracy of ±0.10% and ±0.05% of resistance at 0°C with typical alpha accuracy of 0.00385 ±0.000005 ohms/ohms/°C

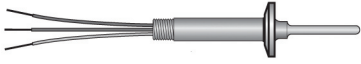
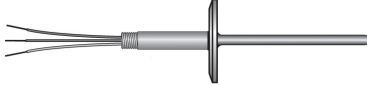
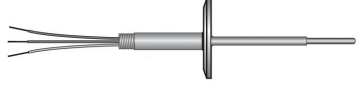
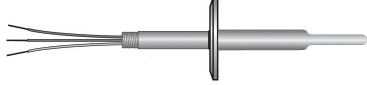


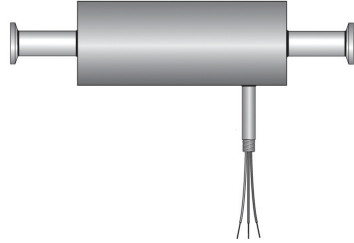
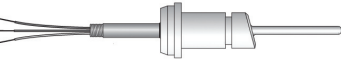
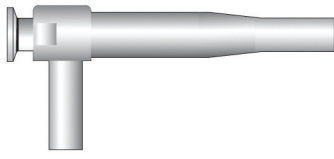

Insulation Resistance: 100 megohms minimum at 50 VDC at 25°C
10 megohms minimum @ 50 VDC at 200°C

Interchangeability: Tolerance °C = $\pm(0.26+0.0037 \text{ Itl})$
for accuracy code 10 (Itl = absolute value of temperature in °C, i.e. -50 become 50)

Leadwire: Teflon insulated, nickel-plated, stranded copper, 26 AWG typical

Sheath Material: 316L stainless steel typical

TEMPERATURE		INTERCHANGEABILITY			
°C	°F	0.05%		0.10%	
-50	-58	±.23°C	±.41°F	±.45°C	±.80°F
0	32	±.13°C	±.23°F	±.26°C	±.46°F
100	212	±.32°C	±.57°F	±.64°C	±1.15°F
200	392	±.50°C	±.90°F	±1.00°C	±1.80°F

<p>S01 - 1/8" Direct Immersion</p> 	<p>S03 - 1/4" Direct Immersion</p> 	<p>S20 - Fast Response, 1/4" x 1/8"</p> 
<p>S40 - Heavy Duty, 1/2" x 1/4"</p> 	<p>S55 - Sensor with 3/16" Integral Thermowell</p> 	<p>S60 & S65 - 1/8" and 1/4" Spring Loaded</p> 
<p>SNI - Non-Intrusive</p> 	<p>SPA & SPS - Ingold™ Port</p> 	<p>SWE - Elbow Thermowells</p> 
		<p>SWT - Standard Thermowells</p> 

What will your next solution BE?

Durable temperature sensors that deliver accurate, stable and repeatable measurements. BE confident. Trust Burns Engineering for the most creative solutions to your most challenging temperature-sensing needs.

For current model numbers and precise ordering information, visit burnsengineering.com and search > SERIES S

ProcessHQ, Inc.

21935 Plummer Street
Chatsworth, CA 91311
818 341-1782 (voice)
818 475-1589 (fax)
info@processHQ.com



Burns Engineering, Inc. | 10201 Bren Road East Minnetonka, MN 55343
Phone: 952-935-4400 | Fax: 952-935-8782 | www.burnsengineering.com

© 2007 Burns Engineering, Inc | Printed in U.S.A.