

Operating and Installation Instructions

**Quattroflow 1200SU-M Quaternary Pump
4-Piston-Diaphragm Pump with pump chamber
made of injection molded polyethylene
(Single-Use)**



Picture shows pump without control box; models with control box and other versions are possible.

Please read this manual carefully before start-up of the pump and take care of an appropriate instruction of the operating staff.

Attention!
Please regard the warning and safety advices!

Quattroflow is a brand of PSG Germany GmbH.
PSG Germany is constantly working on improvements of the pump. Modifications of the design or materials might be done without prior notice.

Contents

1. General	3
1.1. Introduction	3
1.2. Storage	3
1.3. Labelling of the pump	3
2. Description of the QF 1200SU-M pump	4
2.1. Appropriate use	4
2.2. General description of the machine	4
2.3. Start-up	5
2.4. Cleaning	5
2.5. Gamma irradiation	5
3. Safety	6
3.1. Labels at the pump	6
3.2. Qualification of the personell	6
3.3. Responsible working	6
3.4. Dangers in case of noncompliance with the safety instructions	6
3.5. Safety hints for the operator	6
3.6. Safety instructions for maintenance, inspection and mounting operations	6
3.7. Unauthorized reconstruction and spare part usage	7
3.8. Inadmissible modes of operation	7
3.9. Further warning and safety instructions	7
4. Maintenance/Serviceing of the QF 1200SU-M	9
4.1. Replacement of the SU pump chamber	9
4.1.1. Deinstallation of the SU pump chamber	10
4.1.2. Installation of the SU pump chamber	10
4.2. Replacement bearing unit	11
4.2.1. Disassembly of the ring drive unit	11
4.2.2. Assembly of the ring drive unit	12
4.3. Disassembly/assembly of the drive housing	13
5. Operating troubles, causes and remedial action (Troubleshooting)	14
6. Performance charts of the QF 1200SU-M	15
7. Technical data of the QF 1200SU-M	17

1. General

1.1. Introduction

These operating instructions are valid for the Quattroflow 1200SU-M pump.

No liability will be undertaken for any damages caused by non-compliance with the operating instructions and service conditions! Original spare parts serve safety purposes. The use of other parts may cancel the liability for the consequences and secondary failures resulting thereof.

Manufacturer: PSG Germany GmbH
Hochstraße 150-152
47228 Duisburg, Germany
Telefon: +49 (0) 2065 89205-0
Fax: +49 (0) 2065 89205-40
E-mail: psg-germany@psgdover.com
Internet: www.quattroflow.com

Quattroflow quaternary diaphragm pumps are constructed according to the state of the art and they are reliable. Imminent danger by operating error or misuse can lead to damages of properties and/or persons. The pumps are to be applied for the intended use and in a safety-related proper condition only.

1.2. Storage

In general the Quattroflow pump is delivered operational and packaged. If the unit is not installed right away, proper storage conditions are important for a trouble free operation later. The pump has to be protected from wetness, coldness, dirtying, UV-radiation and mechanical influences. The following storage conditions are recommended:

- Steady ventilated, dust and vibration free storage room
- Ambient temperature between 15°C (59°F) and 25°C (77°F) with a relative humidity below 65%
- Prevention of direct thermal influences (sun, heating)

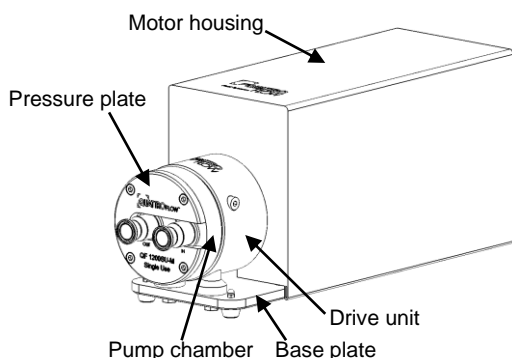
1.3. Labelling of the pump

The PSG Germany GmbH is certified as a modern, quality-orientated enterprise according to DIN EN ISO 9001:2008 and 14001:2009. Before release for dispatch, any Quattroflow pump has to undergo an extended final control. The performance data registered during this are archived in our records and can be read back at any time.

As a general rule in the countries of the EU only such machines are allowed to take into operation, which are determined to meet the regulations of the EU machinery directive, the harmonized standards, European standards and the respective national standards. Hence the operator has to verify whether the Quattroflow pump manufactured and delivered properly according to the customers order meets the mentioned requirements.

Therefore make sure, before putting the pump into operation, that the pump and the used materials of construction are suitable for the provided application and the installation site.

The type label of each Quattroflow pump can be seen on the bottom of the base plate.



2. Description of the QF 1200SU-M pump

2.1. Appropriate use

The Quattroflow 1200SU-M is a 4-piston Diaphragm pump, which is mainly used to pump water-like fluids that are typically handled in research-, pilot plant- or production facilities of the pharmaceutical, biotech, food or cosmetic research centers or plants.

Examples:

- Solutions containing proteins (albumin, IgG, Clotting factors, monoclonal antibodies, enzymes, vaccines.)
- Solutions of polymers or suspensions (silicon, latex, chromatography media)
- Cell suspensions (bacteria, yeast, algae, fungi, mammalian cells)
- Colloidal solutions
- Suspensions of viruses or phage

Typical applications for the QF 1200SU-M

- Filtration technology:
 - To recirculate feed/retentate (e.g. membrane cassettes, hollow fibre, spiral wound, ceramic elements)
 - Feed pump for filter cartridges or plate and frame depth filters
- Chromatography:
 - Packing of chromatography columns
 - Feed pump to mix gradients
- Feed pump for centrifuges or separators
- Feed pump for homogenizers
- Feed pump for filling machines

2.2. General description of the machine

The Quattroflow 1200SU-M pump is a 4-piston diaphragm pump. The four segments of the pump diaphragm oscillate back and forth. This alternate movement is created by a connector plate that is arranged on a ball bearing. The ball bearing sits on an eccentric shaft. The connector plate does not turn!

The stroke of the pistons is determined by the angle of the eccentric. There are eccentric shafts with 5° and 3° available. The range of flow rates can be modified by changing the eccentric shafts.

Range of flow rate:

5° eccentric shaft: approximate 20 - 1200 L/hr (40 – 1200 L/hr for pumps with controller)

3° eccentric shaft: approximate 10 - 800 L/hr (20 – 800 L/hr for pumps with controller)

In gallon:

5° eccentric shaft: approximate 5.3 - 317 gph (10.6 - 317 gph for pumps with controller)

3° eccentric shaft: approximate 2.64 – 211 gph (5.3 - 211 for pumps with controller)

The drive = motor + control needs to be chosen according to application.

Please note:

The direction of flow can be adjusted by turning the pump chamber in 90° steps.

The Quattroflow 1200SU-M is self-priming and can run dry. Inside the pump chamber there are no rotating parts that might cause heating up of the product or shed particles.

The pump-motor unit is mounted on a stainless steel base plate. In case that the pump will not be mounted on the base plate but in a frame or any other base measures have to be taken that there will be a proper alignment of the motor and the pump.

The Quattroflow 1200SU-M pump is designed for use in single-use processes, i.e. the wetted product chamber made of plastic is replaced after onetime use. The simple disposal of the product chamber saves time and money. This eliminates the efforts for cleaning, sterilization or a sophisticated cleaning validation. Also a cross-contamination can be excluded. Particularly in biotechnology development stage single-use pumps facilitate and accelerate the process preparations. Frequently changing products is generally the typical field of application of the single-use pumps.

2.3. Start-up

A Quattroflow single-use pump is delivered pre-assembled. Three plastic pump chambers are attached to each new pump unit. One of them has to be installed according to the instructions in Section 4.1. (replacement of the SU pump chamber), while the other two are for a further replacement.

Before start-up of the pump anyone should acquaint oneself with the explanations of the chapter troubleshooting (see page 14). Only by this the defect quickly can be realized and eliminated in case of trouble. Problems which cannot be solved or with an unknown reason should be passed on to the manufacturer.

Prior to the very first use it might make sense to sanitize the pump chamber by filling with 0.1N to 0.5N NaOH. The reaction time depends on the desired effect of the caustic (e.g. depyrogenation 10-20 hours). This procedure should be tailored to the particular application and the effect has to be checked by appropriate analytical methods.



Recommendation: Test run prior first use!

Before using your pump in your process perform a test run to get used to the specific properties of the pump.

Please note: PSG Germany GmbH is also building custom-made pumps and set-ups. These modified pumps can be different from this one that is described in here. However the basic information is applicable to all of the Quattroflow 1200S Series pumps. Please do not hesitate to contact us for further information.



Pay attention to a sufficiently dimensioned piping. A too small piping of the suction line can cause cavitation as well as a loss of performance. If hoses were used in the suction line, make sure that they do not collapse due to the negative pressure.

When installing the pump please consider that around the pump enough space is available for operation and maintenance. Pay attention to the required space needed for assembly and disassembly of the pump chamber (see 4.1.).

During start-up pay attention to the warning and safety instructions of the following chapter 3 of this manual.

2.4. Cleaning

Cleaning of the single-use pump chamber is not provided, since they are replaced after use.

2.5. Gamma irradiation

The single use pump chamber made of injection molded polyethylene can be gamma irradiated with a maximum dose of 50 kGy. Depending on the given circumstances and requirements the conditions of the sterilization might need to be adjusted and the result of the sterilization needs to be verified. To autoclave the pump chamber is not possible.

3. Safety

These operating instructions contain basic hints to be observed during installation, operation and maintenance. Therefore, prior to mounting and commissioning, these operating instructions must by all means be read by the fitter as well as the pertinent expert personnel/customer and must always be available at the place of installation of the pump. Not only are the general safety hints listed under this item "Safety" to be observed, but also the special safety hints in other chapters.



- **3.1. Labels at the pump**

Marking labels at the pump e.g.

- pmax 4 bar
- Fluid connections
- Direction of flow

must not be removed and has to be readable.

- **3.2. Qualification of the personnel**

The customer is responsible for ensuring that all maintenance, inspection and mounting operations are performed by authorized and qualified expert personnel who have sufficiently informed themselves by thoroughly studying the operating instructions.

- **3.3. Responsible working**

Please follow strictly the safety guidelines of this manual, as well as all national and possible internal regulations (e.g. the handling of chemicals, like caustic or acid, the handling of biological materials, the handling of tubing, piping, instrumentation, fittings etc.

- **3.4. Dangers in case of noncompliance with the safety instructions**

In case of non-compliance with the safety instructions may cause danger to personnel, equipment and environment.

It can cause for example:

- Failure of the proper function of the pump/system
- Failure of required procedures for maintenance
- Danger to personnel by electrical, mechanical, chemical, biological impacts
- Danger to equipment and environment through leakage of dangerous substances

- **3.5. Safety hints for the operator**

- In case of hot parts protective measures have to be taken.
- Protecting covers of moving parts (e.g. coupling, cover of motor) must not be removed.
- Leakages of dangerous products have to be handled without any danger for persons and environment. Statutory regulations must be observed.
- Dangers by electrical energy are to be excluded (for details please refer to the regulations of the VDE and the local energy supply associations)

- **3.6. Safety instructions for maintenance, inspection and mounting operations**



- **Basically, operations at the pump must be performed during standstill only. The motor has to disconnect from the power supply, e.g. by pulling out the power plug or using a repair switch, and has to secure against unintentional switch-on. This can be realized by a lockable emergency switch. To prevent an accidental re-starting a danger sign should be installed.**
- The operator must ensure that all maintenance, inspection and installation work is performed by authorized and qualified skilled personnel acquainted themselves with this manual.



- Before starting to disassemble the pump, take care that the pump has been depressurized and disconnected at all phases of the power supply. Both ports piping are to be closed and drained if applicable. If the pump is being deported from the plant, a reference about the delivered liquid has to be attached.
- Pumps or aggregates handling noxious fluids (e.g. caustic, bio hazardous) must be decontaminated. Immediately following completion of the work, all safety-relevant and protective devices must be re-installed and/or re-activated. Before putting the pump back into operation, take care of the mentioned instructions of the chapter "start-up" and check the tightness of the pump.
- Please respect the relevant additional security advices, if the pump has been used for aggressive, dangerous or toxic liquids (e.g. suitable protective equipment according to the safety data sheet of the liquid). In case of a diaphragm rupture, it is possible that residues of the liquid remain behind the diaphragms and in the area of the ring drive. Hence, appropriate safety equipment according to the safety data sheet of the liquid is indispensable.
- Especially when deliver critical liquids, wear parts, like diaphragms, should be replaced within a preventive maintenance.
- Procedure for pump return: According to the requirements of our 14001-certification, every unit which is send to PSG Germany for diagnosis or maintenance reasons has to be accompanied by a filled out decontamination-sheet. Otherwise a processing is not possible. The decontamination-sheet is enclosed to this manual. Please pay attention to the further safety regulations.

● 3.7. Unauthorized reconstruction and spare part usage

The use of non-original Quattroflow spare parts or not authorized accessories and reconstructions lead to the lapse of the warranty immediately. When operating such a pump, damages of properties and/or persons cannot be excluded..

● 3.8. Inadmissible modes of operation

A safety operation of the pump is ensured only by an appropriate use according to the specific data of the enclosed pump data sheet. The values limitations given in the data sheet must not be exceeded.

3.9. Further warning and safety instructions

These warning hints are to prevent the user from an inadmissible mode of operation. These warning hints are to be strictly followed to avoid any damage of the pump and/or any danger to personnel



The maximum allowed discharge pressure depends on the temperature of the fluid: **p_{max} at room temperature = 4 bar (58 psi)**. An exceeding of the maximum allowed discharge pressure must avoid in any case (do not remove the warning sign at the pump). As a result – if only temporarily – of an exceeding of the allowed discharge pressure the diaphragm can be damaged. The resulting leakage may lead to a loss of the pumping fluid and damages of properties and/or persons. Pay attention to a sufficiently dimensioned piping on the suction and discharge line to prevent a too high pressure in the pump. The pump chamber may not be set under pressure when it is not mounted on the drive.

- The free cross section of the suction side as well as the length must be measured in such a way to avoid cavitation.
- The use of a safety device (e.g. pressure switch) can be necessary..
- Please make sure that prior to the start of the pump the discharge line is checked. Make sure that there is no flow restriction in the discharge line to avoid any over pressure (e.g. closed valve).
- Foundation design: The foundation must be designed so that it can take the weight of the pump aggregate on the entire surface. .
- Please make sure that the pump is operated with the proper mains voltage and frequency to avoid damages and electrical danger.



- Make sure that the slots for the cooling air are not blocked.
- Due to the versatile possibilities to use the Quattroflow pump it is highly recommended to check case by case if the pump will be the right tool for the specific application. The user/operator is responsible to perform a proper method of testing if the pump should be applied for his specific application. The chemical and thermal compatibility of the elastomeric parts of the pump with the fluid that will be pumped are to be checked by the operator before the first process run. E.g. Oily, fatty fluids or solvents might cause a swelling and/or destruction of the elastomeric components. If in doubt, please contact the manufacturer!
- Operating the pump in humid or aggressive air can cause damages to the motor and control box.
- The control box should not be exposed to spray/splash water or to heat sources.
- Depending on the conditions of operation, the liquid conveyed might escape from the pump in case of a diaphragm rupture. For further safety requirements the optional equipment diaphragm monitoring is recommended.
- Pools of liquid which appear in the near outer area of the pump have to be inspected on danger potential, if necessary safety measures are to be taken.
- Chemical and biological reactions in the product chamber of the pump (mixture of different substances) and the freezing of the liquid have to be avoided.
- To avoid corrosion the contact of aggressive solutions (e.g. NaCl, HCl) with the outer stainless steel surfaces of the pump (e.g. hood, base plate) has to be prevented.
- The Quattroflow pump is a positive displacement pump and can theoretically generate an infinitely high pressure even at low speed (rpm). Prior to each start of the pump check and make sure that the discharge line is not closed or restricted. The design of the discharge line must not build up a pressure of > 4 bar (58 psi).
- If suction and/or discharge line are flexible tubing, then make sure that these tubing do have the proper pressure rating for the full range of temperatures that are applied.
- Please follow the general safety guidelines when handling chemical fluids (wear gloves and/or glasses) before the pump chamber will be opened.
- Never operate the pump without coupling protection and motor housing.
- Quattroflow pumps can lead to bruises when lifting, sinking or assembling them. Appropriate accessories and safety equipments are to be used. Big and heavy modules have to fixed and secured to lifting gears when transporting/replacing them.
- Disconnect mains before doing any maintenance! The housing of the control box or the motor is to be opened only by skilled personnel. Check the electrical cables before connecting to mains supply.
- During all maintenance work it has to be ensured that no explosive atmosphere can arise. Appropriate protection equipment is recommended. The Quattroflow 1200SU-M **must not be operated in explosion-proof areas.** Special versions for “ATEX” applications are available. Please contact the manufacturer.



Attention! Inadmissible modes of operation, arbitrary reconstruction, spare parts production and/or any changes of the design (without admission of the manufacturer) may cancel the liability for the consequences resulting there from.

4. Maintenance/Service of the QF 1200SU-M

Due to the robust construction the Quattroflow pump are widely maintenance-free. The ball bearings do not need any extra lubrication. We recommend the following maintenance intervals for the different pump parts:

Component	Maintenance interval	Action
Shaft-bearing-cap unit	1000 h operating hours, at least once a year	Replacement of the complete unit (kit order no. PSKITWLC123 resp. PSKITWLC125)
Motor	Pay attention to the maintenance information of the manual of the motor	
Coupling	Pay attention to the maintenance information of the manual of the coupling	
Gear	Pay attention to the maintenance information of the manual of the gear	

In case that the diaphragm is broken it is also recommended to check the ball bearings. For corrosion reasons or a clearly audible operating noise the parts of the bearing service kit should be also replaced. (PSKITWLC123 resp. PSKITWLC125).



Please follow the general guidelines and safety advices when handling with chemicals.



Disconnect mains supply before opening the pump housing!

Basically, operations at the pump must be performed during standstill only. The motor has to disconnect from the power supply, e.g. by pulling out the power plug or using a repair switch, and has to secure against unintentional switch-on. This can be realized by a lockable emergency switch. To prevent an accidental re-starting a danger sign should be installed..



After purging the pump with air there might be a small residual amount of fluid inside the pump chamber. Flush the pump chamber thoroughly and check the rinse fluid.

The dismounting and mounting of the pump should be done on a rigid table or work bench. Please note: the pump is heavy.

All further warning and safety instruction of chapter 3 has to be respected.

4.1. Replacement of the SU pump chamber

The Quattroflow 1200SU-M pump is designed for use in single-use processes. The wetted pump chamber made of plastic can be replaced quickly and easily. The simple disposal of the pump chamber saves time and money because the cost of cleaning, sterilization or a sophisticated cleaning validation is inapplicable. To each new pump unit three single-use product chambers will be delivered. More can be ordered as a set of three pieces (PQ12DISPP-M).

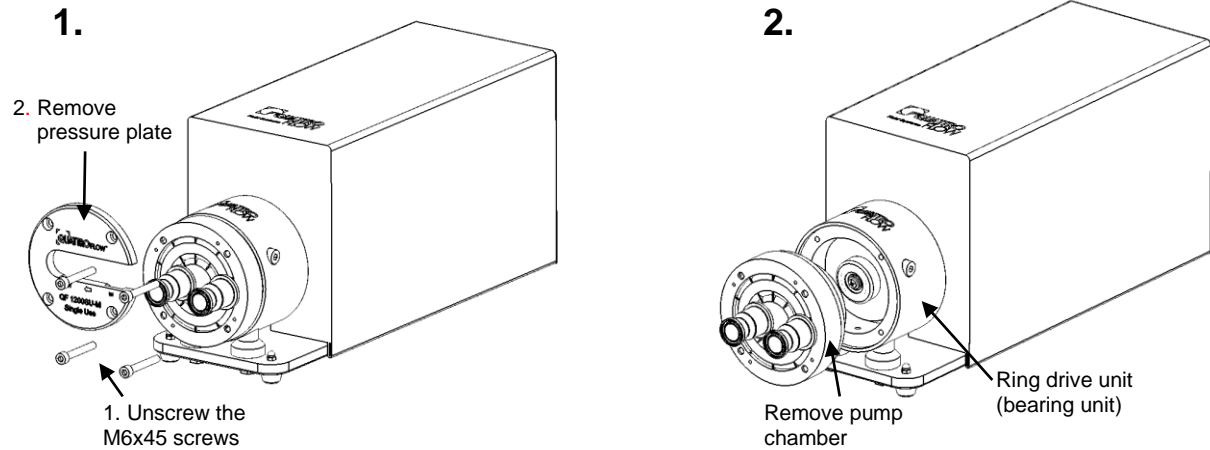
The replacement of the pump chamber can be conducted by the operator. Please follow the drawings for the disassembly and assembly.



Before starting the disassembly ensure that the pump is not in operation and cannot be accidentally taken into operation. Also, make sure that the system was emptied before the change.

4.1.1. Deinstallation of the SU pump chamber

Needed tool: Allen key 5 mm

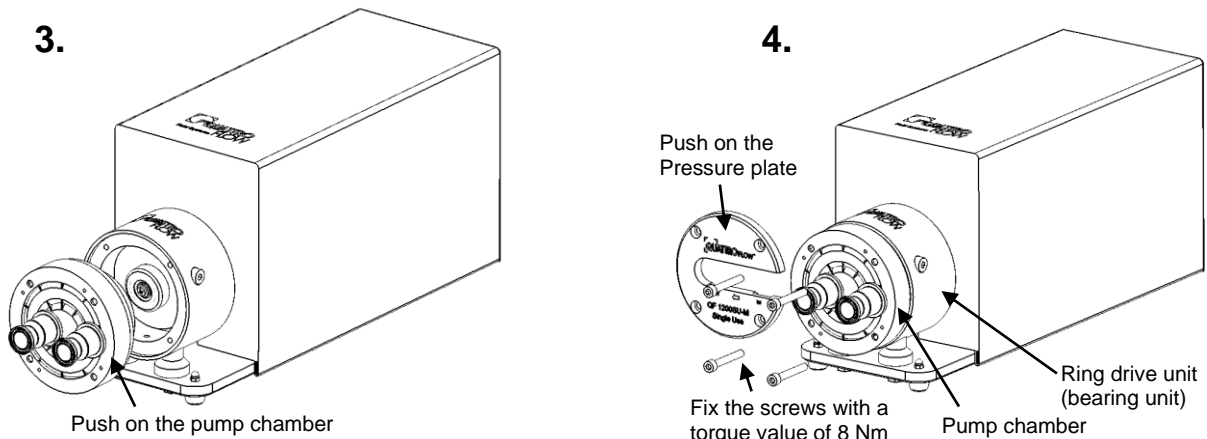


4.1.2. Installation of the SU pump chamber

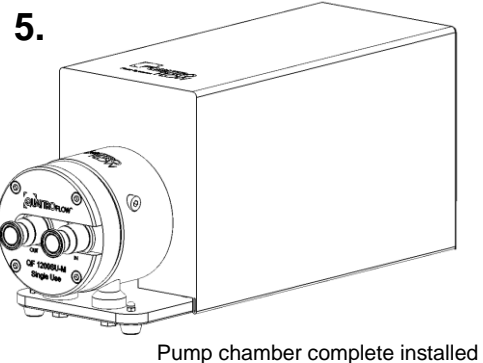
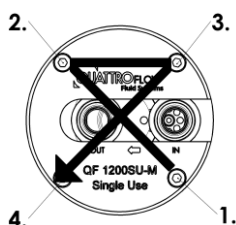
Needed tools:

Allen key 5 mm

Torque wrench (8 Nm) with hexagon socket bit (5 mm) (e.g. Hazet 5108-2CT mit 8501X-5)



The specified compressive strength and leakproofness of the pump chamber is only given when the installation together with the stainless-steel pressure plate on the drive unit is correct performed. During assembly, it must be ensured that the screws are tightened stepwise, evenly and offset diagonally



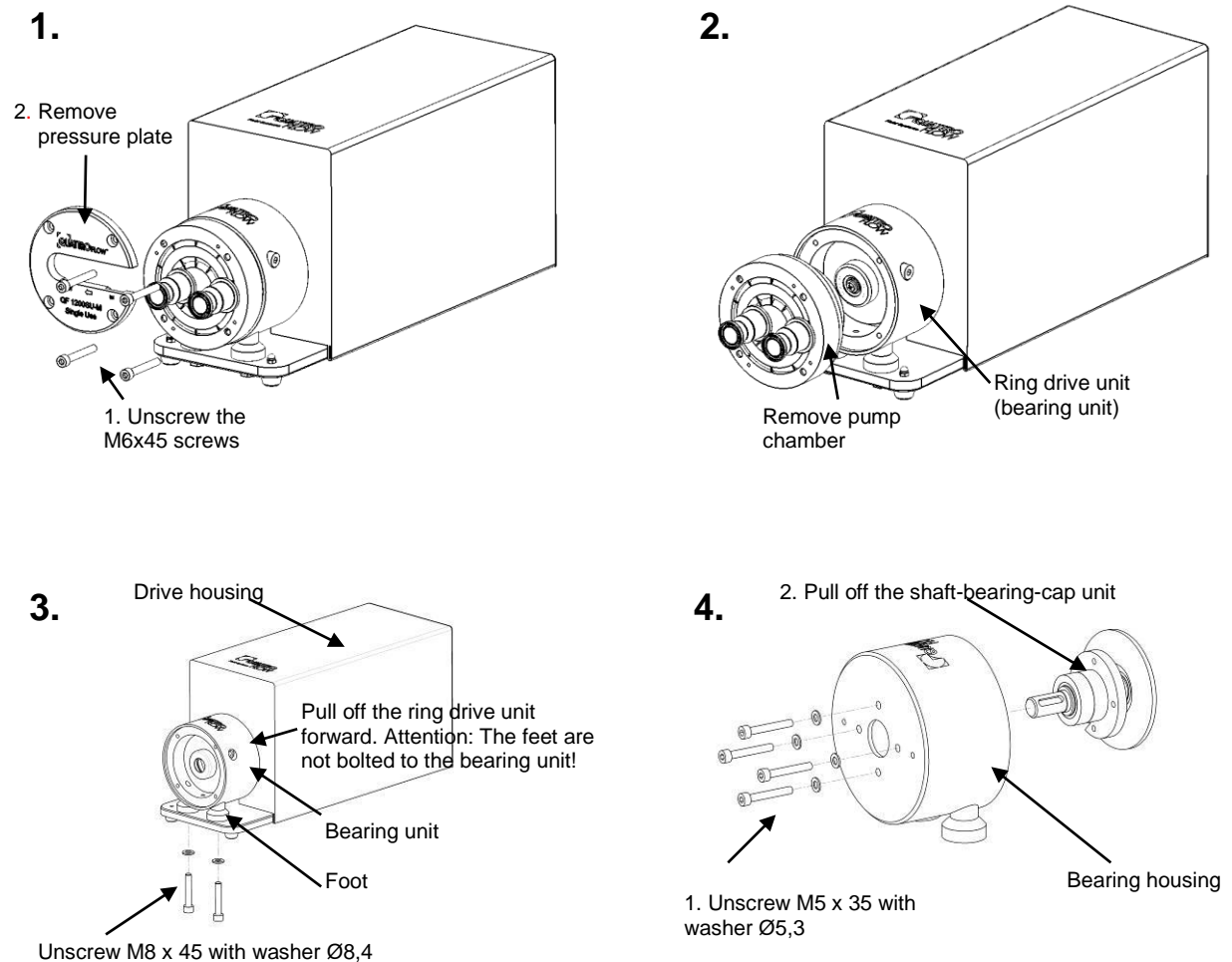
4.2. Replacement bearing unit

Maintenance kit PSKITWLC123 (3° eccentric shaft) or
Maintenance kit PSKITWLC125 (5° eccentric shaft)

The replacement of the bearing unit can be conducted by the operator. The following drawings describe it step-by-step.

Needed tools: Allen key 4, 5 and 6 mm

4.2.1. Disassembly of the ring drive unit

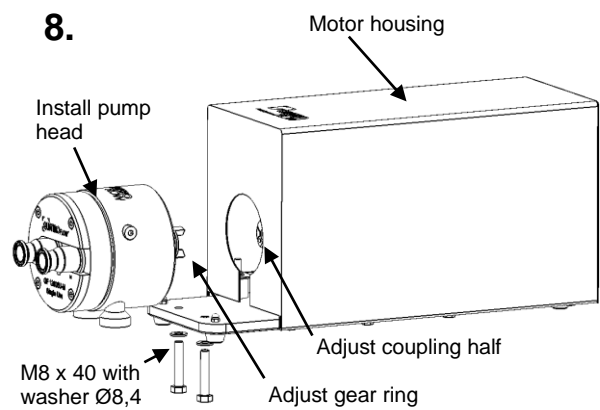
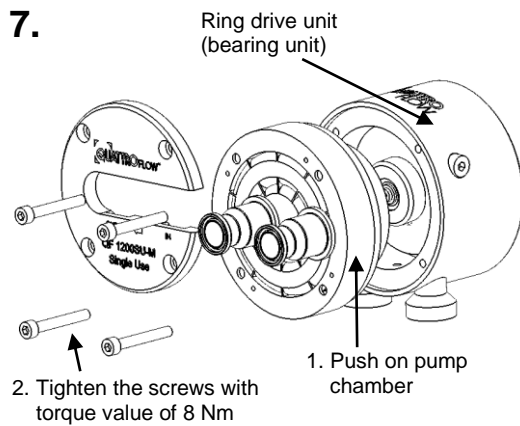
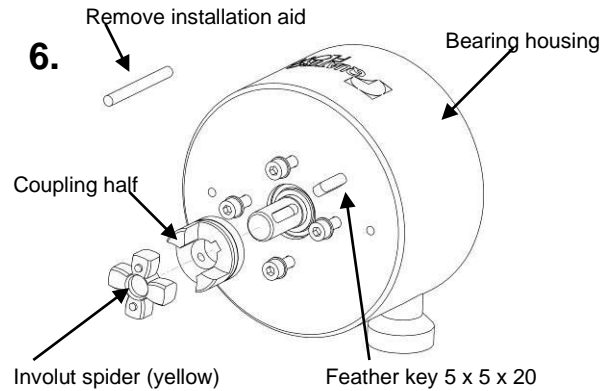
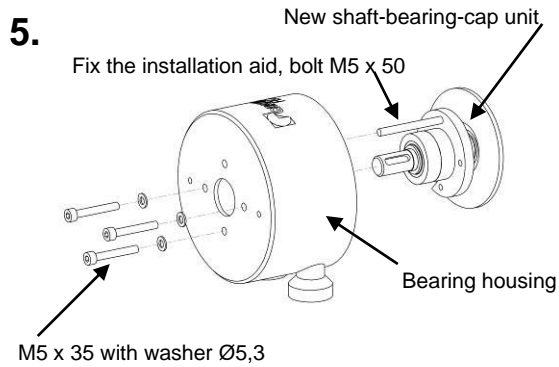


4.2.2. Assembly of the ring drive unit

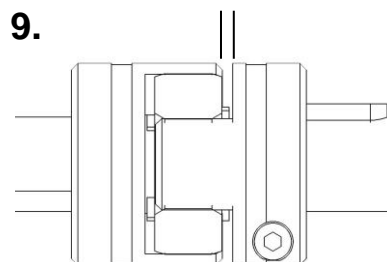
Needed tools:

Allen key 4, 5 and 6 mm

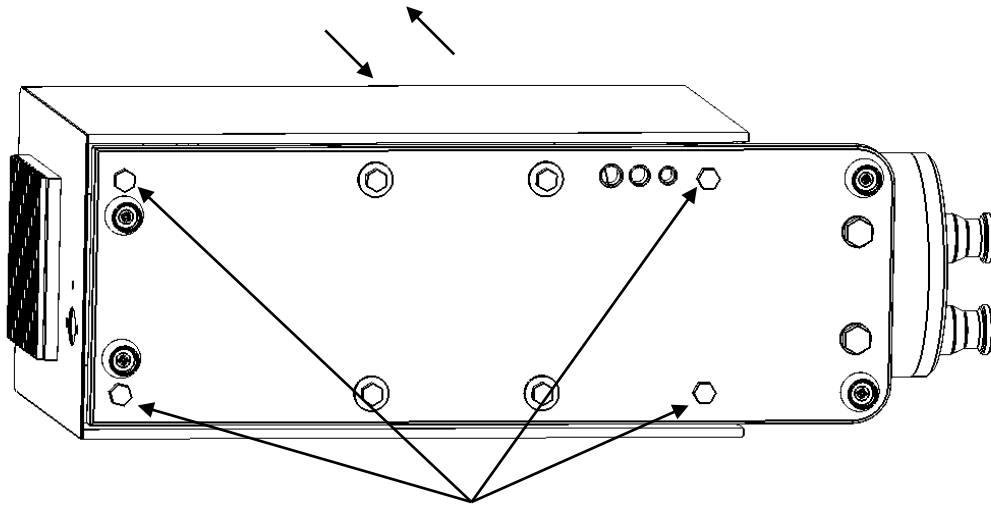
Torque wrench (8 Nm) with hexagon socket bit (5 mm) (e.g. Hazet 5108-2CT mit 8501X-5)



After the installation of the pump head (figure 8), between both coupling halves has to be a gap of 2-3 mm (0.079-0.118 inch) (see figure 9). To that end the drive housing has to be dismantled.



4.3. Disassembly/assembly of the drive housing



Loosen 4x M6 (wrench size 10) resp. fit for the assembly together with the washers

For further questions and ordering of spare parts please contact the manufacturer.

5. Operating troubles, causes and remedial action (Troubleshooting)

No.	Operating troubles									Causes and remedial action
	Pump does not start	Pump does not prime	Delivery is not obtained or reduced	Pressure head is not obtained	Irregular pump delivery	Pump operates noisily	Pump is leaky	Motor gets too warm	Display show Error code	
1		X					X			The screws of the pump-chamber maybe not tightened enough. Fix it!
2		X								Check the direction of flow showed by the arrow on the pump, in case of wrong way, turn the pump head.
3		X	X		X					Check suction pipeline and TC- seals for tightness.
4		X	X	X	X					Check suction head-increase suction line cross section.
5		X	X		X					Check viscosity of liquid pumped.
6	X								X	Check pump speed. Control speed of drive motor. Check voltage and frequency and the fuse (6,3A T in the control box)
7			X	X	X					Avoid air inclusions in the liquid to be pumped.
8			X		X					Check pressure head-open valve in discharge line completely, remove obstruction in discharge line.
9							X			Pressure line completely or partly clogged, diaphragm maybe broken, change diaphragm!
10			X							The diameter of the pipes in suction or pressure line are too small.
11						X				Check the coupling halves. They must be fixed with 2-3mm space.
12						X				Check longitudinal play of coupling rod pins. The spider might be worn.
13		X	X		X					Check whether foreign bodies in pump. Disassemble pump, remove foreign bodies, replace defective parts.
14	X							X	X	Pump stopped by the thermal circuit breaker. Please allow the motor to cool down – please reduce the power consumption.
15	X					X				Bearings are worn or defective Disassemble pump, replace the shaft – bearing – cap unit (PSKITWLC123 or PSKITWLC125).
16		X								The valves are dry (e.g. not in use for a long time), deformed or worn. Change valve or wet the pump.
17							X			The diaphragm is burst (the discharge pressure was too high) – replace the pump chamber
18		X	X	X			X			O-rings between valve plate and pump housing are defective.
19						X				Align coupling accurately

6. Performance charts of the QF 1200SU-M

Testmedia: Water at ambient temperature
 Discharge pressure: 0 to 4 bar (0 to 58 psi)
 Connections: 3/4" TC front

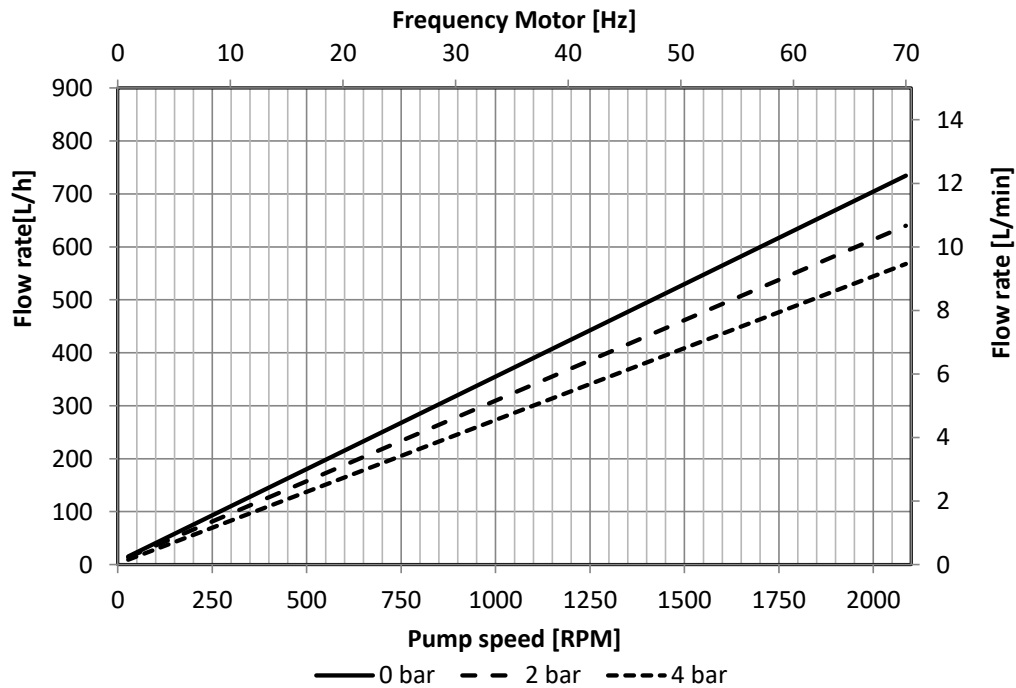
Shows approximate flow rates as function of pump rpm.

Please note:

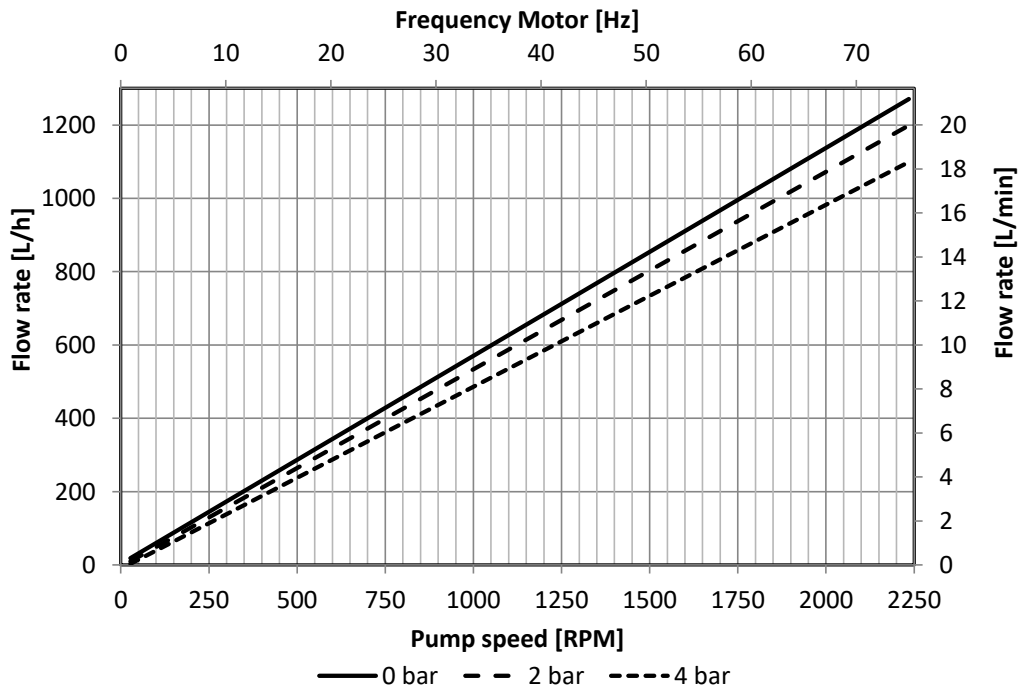
If motor is directly coupled to pump: Pump rpm = motor rpm

If reducer gear drives are used: Pump rpm = motor rpm x reduction ratio

Eccentric shaft: 3°



Eccentric shaft: 5°



The flow rates showing at the charts above were ascertained with new diaphragms and new valves under standard conditions after the final assembly of the pump. Depending on the selected motor/frequency drive combination, the motor frequency and the resulting pump speed might differ.

7. Technical data of the QF 1200SU-M

Description	Unit	QF1200SU-M Standard Motor	QF1200SU-M Synchronmotor	QF1200SU-M - CV Integrated Controller	QF1200SU-M - HT Integrated Controller
Flow rate max.:					
Eccentric shaft 3°	l/h (lpm)	800 (13,34)	800 (13,34)	800 (13,34)	800 (13,34)
Eccentric shaft 5°	l/h (lpm)	1200 (20)	1200 (20)	1200 (20)	1200 (20)
Flow rate min.:					
Eccentric shaft 3°	l/h (lpm)	10 (0.17) [appr. 20 (0.33) with separate control box]	6 (0.1)	10 (0.17)	6 (0.1)
Eccentric shaft 5°	l/h (lpm)	20 (0,34) [appr. 40 (0,67) with separate control box]	6 (0.1)	10 (0.17)	6 (0.1)
Pressure:					
Temperature of fluid < 40°C	bar (psi)	4 (58)	4 (58)	4 (58)	4 (58)
Temperature of fluid > 40°C	bar (psi)	4 (58)	4 (58)	4 (58)	4 (58)
Temperature max.:					
Fluid	°C (°F)	60 (140)	60 (140)	60 (140)	60 (140)
Autoclave	°C (°F)	Nicht möglich	Nicht möglich	Nicht möglich	Nicht möglich
Suction lift dry at:					
		1800rpm	1800rpm	1800rpm	1800rpm
Eccentric shaft 3°	m (ft)	2 - 2,5 (6.6-8.2)	2 - 2,5 (6.6-8.2)	2 - 2,5 (6.6-8.2)	2 - 2,5 (6.6-8.2)
Eccentric shaft 5°	m (ft)	3 - 3,5 (9.8-11.5)	3 - 3,5 (9.8-11.5)	3 - 3,5 (9.8-11.5)	3 - 3,5 (9.8-11.5)
Volume specifications:					
Approximated volume per revolution at free output	ml	9,6 (5°) 5,8 (3°)	9,6	9,6	9,6
Filling volume without connectors	ml	75	75	75	75
Residual volume (after idle with high-speed motor)	ml	ca. 8-26; depends on installation position	ca. 8-26; depends on inst. position	ca. 8-26; depends on inst. position	ca. 8-26; depends on inst. position
Product wetted surface (approx.)	cm ² (inch ²)	367 (57)	367 (57)	367 (57)	367 (57)
Speed range pump	rpm	30-2400	10-2400	10-2200	10-2400
Connection specification inlet (std)					
Connector	"	3/4" TC	3/4" TC	3/4" TC	3/4" TC
Flange diameter	mm (inch)	25	25	25	25
Internal diameter	mm (inch)	15,75	15,75	15,75	15,75
Connection specification outlet (standard)					
Connector	"	3/4" TC	3/4" TC	3/4" TC	3/4" TC
Flange diameter	mm	25	25	25	25
Internal diameter	mm (inch)	15,75 (0.62)	15,75 (0.62)	15,75 (0.62)	15,75 (0.62)
Position of connectors		Inline	Inline	Inline	Inline
Number of flow directions		4	4	4	4
Diameter drive shaft	mm	14	14	14	14
Product wetted materials (std):					
Pump chamber		PE	PE	PE	PE
Valve plate		PE	PE	PE	PE
Diaphragms		TPE	TPE	TPE	TPE
Valves		EPDM	EPDM	EPDM	EPDM
O-rings		EPDM	EPDM	EPDM	EPDM
Non-product wetted materials (standard):					
Membrane cover		PE	PE	PE	PE
Bearing housing		SS316L	SS316L	SS316L	SS316L
Base plate		SS316	SS316	SS316	SS316
Hood		SS316	SS316	SS316	SS316
Dimensions pump with motor and housing:					
Length	mm (inch)	497 (19.56)	497 (19.56)	497 (19.56)	533 (20.98)
Width	mm (inch)	159 (6.26)	159 (6.26)	200 (7.87)	200 (7.87)
Height	mm (inch)	210 (8.27)	210 (8.27)	210 (8.27)	220 (8.66)
Weight pump:	kg (lb)	22 (48)	21 (46)	25 (55)	20 (44)
IP protection class	IP	IP54	IP54	IP54	IP54

Description	Unit	QF1200SU-M Standard Motor	QF1200SU-M Synchronmotor	QF1200SU-M - CV Integrated Controller	QF1200SU-M - HT Integrated Controller
Custom tarif number		84138100	84138100	84138100	84138100
Certificates/proofs (optional):					
Elastomere (product wetted)		USP<87>, USP<88> Cl. VI, USP<381>; FDA21CFR177; BSE/TSE Safe	USP<87>, USP<88> Cl. VI, USP<381>; FDA21CFR177; BSE/TSE Safe	USP<87>, USP<88> Cl. VI, USP<381>; FDA21CFR177; BSE/TSE Safe	USP<87>, USP<88> Cl. VI, USP<381>; FDA21CFR177; BSE/TSE Safe
Motor/Gear:					
Manufacturer (standard)		EMK or Behnke	Engel	Panasonic	Engel
Type		KAE1A71B	HBI37904A 3000/4000	MBMS082BL	HBI37904A 3000/4000
Rated speed	min-1	1375 (50 Hz)	3000	2200	3000
Voltage	V	230/400	48 DC	230	48 DC
Ampacity	A	1,85/1,06	13,5	4	13,5
Power	KW	0,37	0,485	0,75	0,485
Shaft diameter	mm	14	14	14	14
Color	RAL	5010/7031	grey/silver	grey/silver	grey/silver
Forced ventilation in hood		yes	yes	yes	yes
Coupling		KTR (Rotex)	KTR (Rotex)	KTR (Rotex)	KTR (Rotex)
Gear ratio		n/a	n/a	n/a	n/a
Additional information controller:					
		Optional	Optional	Standard	Standard
Type		Frequency Converter Separate Control Box	Power Supply Unit (separate)	Controller Integrated in pump	Power Supply Unit Integrated in pump
Manufacturer (standard)		Lenze/ AC-tech	TDK Lambda (power supply)	Panasonic	Mean Well
Designation		SMVector; 0.37kW	HWS	MBEK083BCV	HRPG-600-48
Analog input (optional)		4-20 mA or 0-10 V	0-10 V	0-5 V	4-20mA (standard)
Protection class		IP54	IP20 (for installation into electr. cabinet)	see pump housing	see pump housing
Power supply		230V, 50Hz, 1P; or 110V/60 Hz; 1P	85 - 265 VAC 50/60 Hz 1P	200-240V, 50/60 Hz, 1P	00-240V 50/60Hz1P
Housing material		SS316	n/a	see pump housing	see pump housing
Dimensions (length x width x height)	mm (inch)	350 x 155 x 210 (13.78 x 6.10 x 8.27)	100 x 82 x 165 (3.94 x 14.96 x 15.35)	see pump housing	see pump housing
Weight approx.	kg (lb)	8 (17.64)	1,6 (3.53)	See pump weight	See pump weight

All technical data relate to a Quattroflow pump in the standard version. Special designed pumps may have different data that can be found in the advanced documentation for each Quattroflow pump.

Subject to change without notice, 2021-01 (replaces 2019-06)



PSG Germany GmbH
Hochstraße 150-152 · D-47228 Duisburg, Germany
Telefon +49 (0) 2065 89205-0 · Fax +49 (0) 2065 89205-40
www.quattroflow.com · psg-germany@psgdover.com